

STONEMAGNET SM-600 Vacuum Lifting Device

SM-600



Handy, powerful and cordless vacuum lifting device for laying of dense stone slabs, concrete elements, pipes and similar. Can be used on all kind of lifting equipment.

- ▶ Specially designed and equipped for heavy duty work on the construction site.
- ▶ For special purposes, there are different suction plates available, which can be attached to the SM easily.
- ▶ Can be used with any hoist.

- ▶ Integral charger socket for charging.
- ▶ Security features: Flashing light to warn on insufficient low pressure, automatic control system to start the vacuum pump after loss of pressure, manometer, high volume vacuum storage tank.

Special features:

The SM is equipped with 2 vacuum-pumps as standard. When handling dense products, only one pump is used. On slightly porous material, or when quick cycle time is required, the second pumpe can be switched on by the TURBO switch.

Additional features of the

SM-600-POWER:

- ▶ Twice the pumping capacity compared with the SM-600, providing greater reserves for slightly porous materials.
- ▶ Built-in operating hours counter.
- ▶ Suction and release operation via comfortable button-activation.
- ▶ Optional retro-fitting of remote control for suction and release operations, enabling single-operator activation from the carrying device.

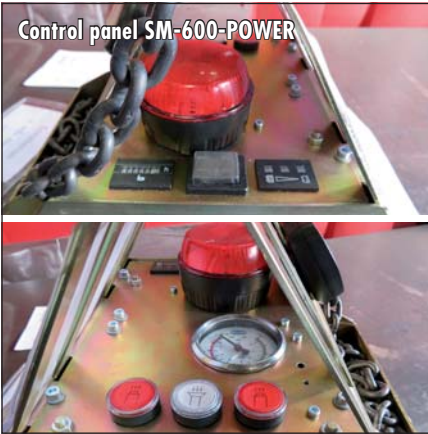
Standard Specifications:

- ▶ Robust and compact main body, with integrated suspension for crane hook and quick change device for the suction plate.
- ▶ With integral chain-box and load-securing chain.
- ▶ Galvanized finish.
- ▶ Powered by rechargeable, exchangeable 12 V battery. Power saving control system makes battery lasting for one whole working day. Battery can be exchanged within seconds. Battery charge indicator. Battery charger not included.

SM-600-POWER



Control panel SM-600-POWER

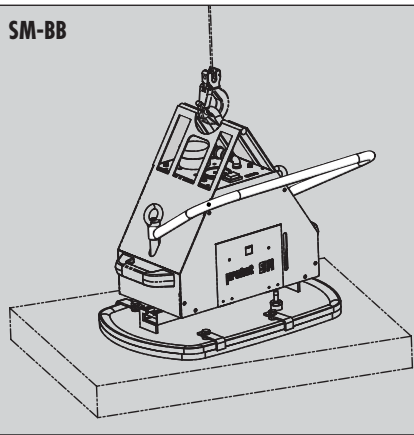


Type	Description	Drive	Dead Weight kg (lbs)	Order-Number
SM-600	Basic device, without suction plate.	by 12 V battery	34 (75)	5272.0006
SM-600-POWER	Basic device, without suction plate.	by 12 V battery	35 (75)	5272.0007
SM-600-POWER-FFS	Basic device, without suction plate. With remote control.	by 12 V battery	35 (75)	5272.0008

SM-SPS-200-58/28



SM-BB



SM-FFS



Suction Plates SPS for STONEMAGNET:

Type	Suction Plate Dimension mm (in)	Working Load Limit WLL* kg (lbs)	Dead Weight kg (lbs)	Order-Number
SM-SPS-90-30/20 ^①	approx. 300 x 200 (11¾" x 7¾")	90 (200)	5,0 (10)	4272.0009
SM-SPS-200-58/28 ^①	approx. 580 x 280 (22¾" x 11")	200 (440)	9,0 (20)	4272.0001
SM-SPS-400-75/27 ^①	approx. 750 x 270 (29½" x 10½")	400 (880)	10,0 (25)	4272.0002
SM-SPS-600-95/34 ^①	approx. 950 x 340 (37" x 13½")	600 (1,320)	15,0 (33)	4272.0349
ED-SPS-90	Highly wear-resistant replacement seal: Easy to attach without glueing.			4250.0023
ED-SPS-200				4272.0004
ED-SPS-400				4272.0005
ED-SPS-600				4250.0027
Special Suction Plates:				
SM-SPS-HP-100-90/9 ^①	900 x 90 (35½" x 3½")	100 (220)	7,0 (15)	4272.0115
SM-SPS-160-90/12 ^①	900 x 120 (35½" x 4¾")	160 (355)	7,0 (15)	4272.0047
SM-SPS-150-41/22 ^①	410 x 220 (16" x 8½")	150 (330)	5,0 (10)	4272.0018
SM-SPS-150-80/14 ^①	800 x 140 (31½" x 5½")	150 (330)	7,0 (15)	4272.0013
SM-SPS-120-80/12 ^①	800 x 120 (31½" x 4¾")	120 (265)	6,0 (13)	4272.0043

* Value at 500 mbar low pressure

Accessories

Type	Description	Order-Number
Battery-12V/26Ah	Spare storage battery, 24 Ah, 12 V	2420.0008
LG Battery charging device	Battery charging device w/overload protection and charging current limiting. Housing is water and dust-proof.	4272.0351
SM-BB Operating handle ^①	(also for retrofitting)	4272.0063
SM-FFS	Remote Control for gripping and releasing for SM-600-POWER (Retro-fitting available only in the Probst works)	4272.0346

Special suction plates, for example for pipes, on request.

^① Durable surface protection by galvanizing