

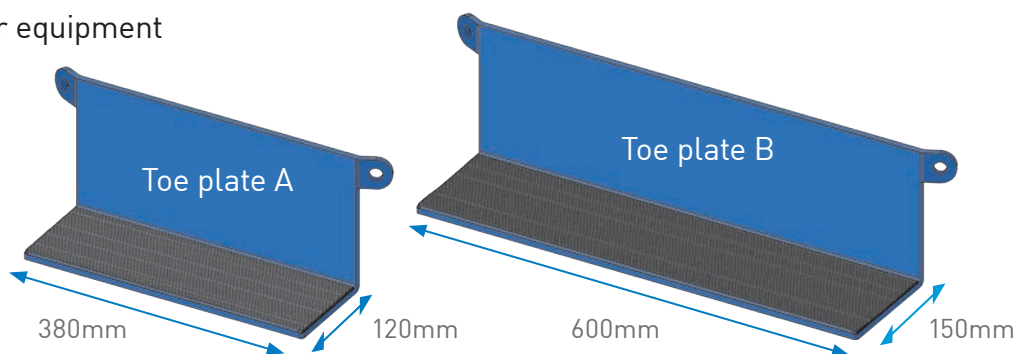
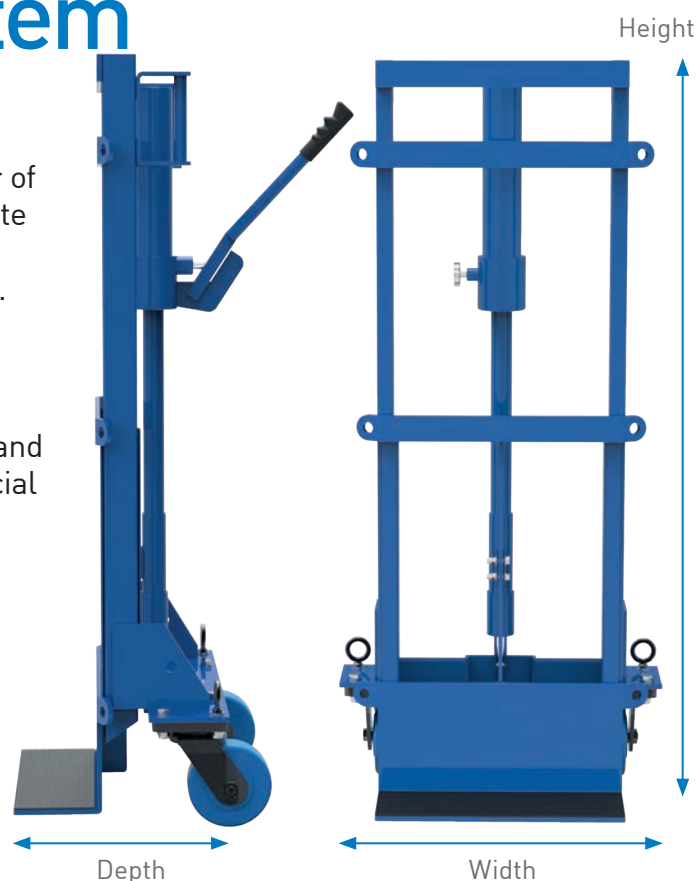
Skoots® moving system

About the product

Each set of Skoots is supplied with a matching pair of main frames which are designed to work at opposite ends of the load. A pair of heavy-duty straps is supplied to bind the Skoots units tightly to the load.

Skoots are portable moving systems which hydraulically lift a load of up to 5000kg* off the floor onto castors, allowing easy movement in any direction. For heavy and bulky loads of all shapes and sizes they can be used in a wide range of commercial and amenity situations...

- Air conditioning installation & maintenance
- Commercial refrigeration
- Security safe installation
- Switchgear panel manufacture & installation
- Vending machine installation
- Museums and galleries
- Hire shops – speciality lifting equipment
- Data cabinets and server equipment
- Machinery installation and many more...



Model	Dimensions (mm)			SWL pair	Wheel diameter	Lifting height	Toeplate (A or B)	Total weight pair
	H	W	D					
SK600	1160	510	330	600kg	125mm	400mm	A	96kg
SK900	1160	510	330	900kg	125mm	400mm	A	108kg
SK1400	1160	510	330	1400kg	125mm	400mm	A	108kg
SK2000	1160	510	330	2000kg	125mm	400mm	A	102kg
SK3500	1160	510	400	3500kg	125mm	375mm	A	104kg
SK5000	1170	790	490	5000kg	150mm	200mm	B	232kg

* Load capacity according to model number