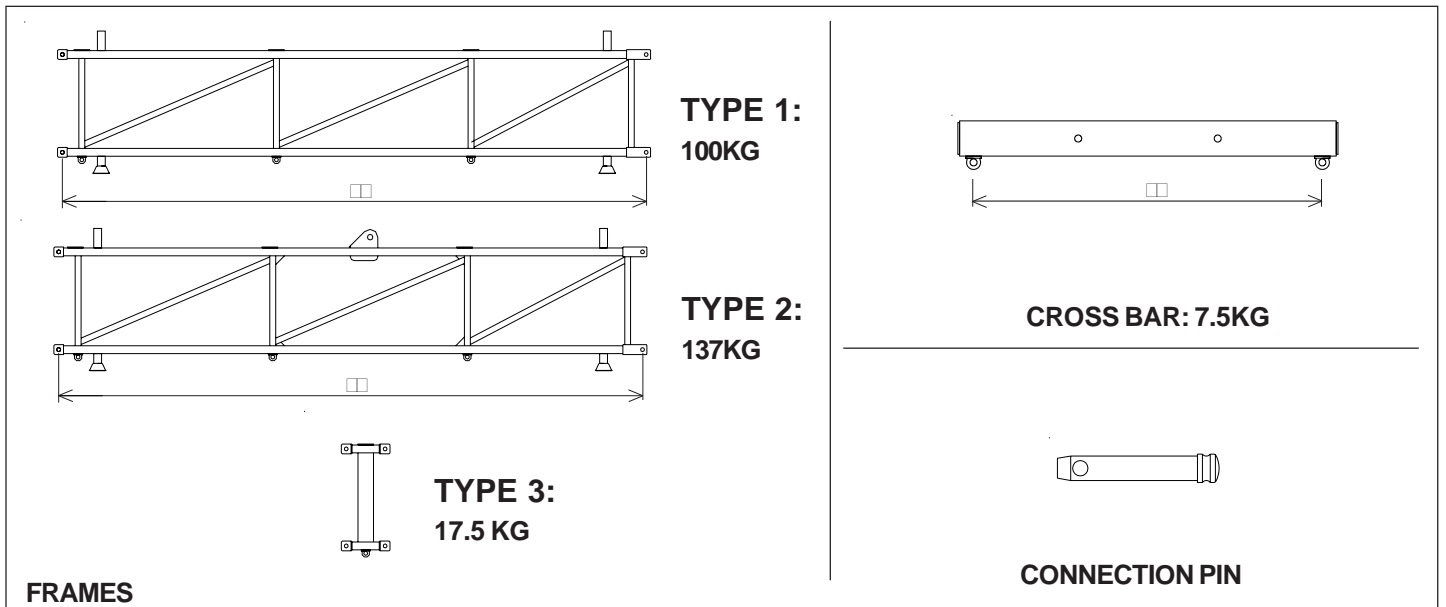


# USER INSTRUCTIONS

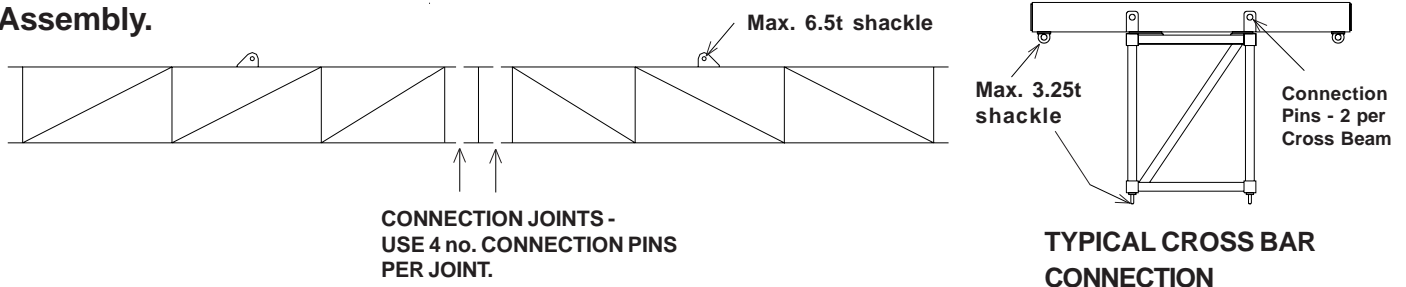
## - LATTICE SPREADER:30m

The lattice spreader is designed to be used for lifting and moving heavy loads. It is a portable and easy-to-use device that can be used in a variety of applications. The spreader is made of high-strength steel and is designed to be used for lifting and moving loads up to 100,000 kg. The spreader is designed to be used for lifting and moving loads up to 100,000 kg. The spreader is designed to be used for lifting and moving loads up to 100,000 kg.

### Components.



### Assembly.



The lattice spreader is designed to be used for lifting and moving heavy loads. It is a portable and easy-to-use device that can be used in a variety of applications. The spreader is made of high-strength steel and is designed to be used for lifting and moving loads up to 100,000 kg. The spreader is designed to be used for lifting and moving loads up to 100,000 kg. The spreader is designed to be used for lifting and moving loads up to 100,000 kg.

## WARNING!

- The lattice spreader is designed to be used for lifting and moving heavy loads. It is a portable and easy-to-use device that can be used in a variety of applications. The spreader is made of high-strength steel and is designed to be used for lifting and moving loads up to 100,000 kg. The spreader is designed to be used for lifting and moving loads up to 100,000 kg. The spreader is designed to be used for lifting and moving loads up to 100,000 kg.
- The spreader is designed to be used for lifting and moving loads up to 100,000 kg. The spreader is designed to be used for lifting and moving loads up to 100,000 kg. The spreader is designed to be used for lifting and moving loads up to 100,000 kg.
- The spreader is designed to be used for lifting and moving loads up to 100,000 kg. The spreader is designed to be used for lifting and moving loads up to 100,000 kg. The spreader is designed to be used for lifting and moving loads up to 100,000 kg.
- The number of lifting points must not be less than shown in the diagram overleaf.**



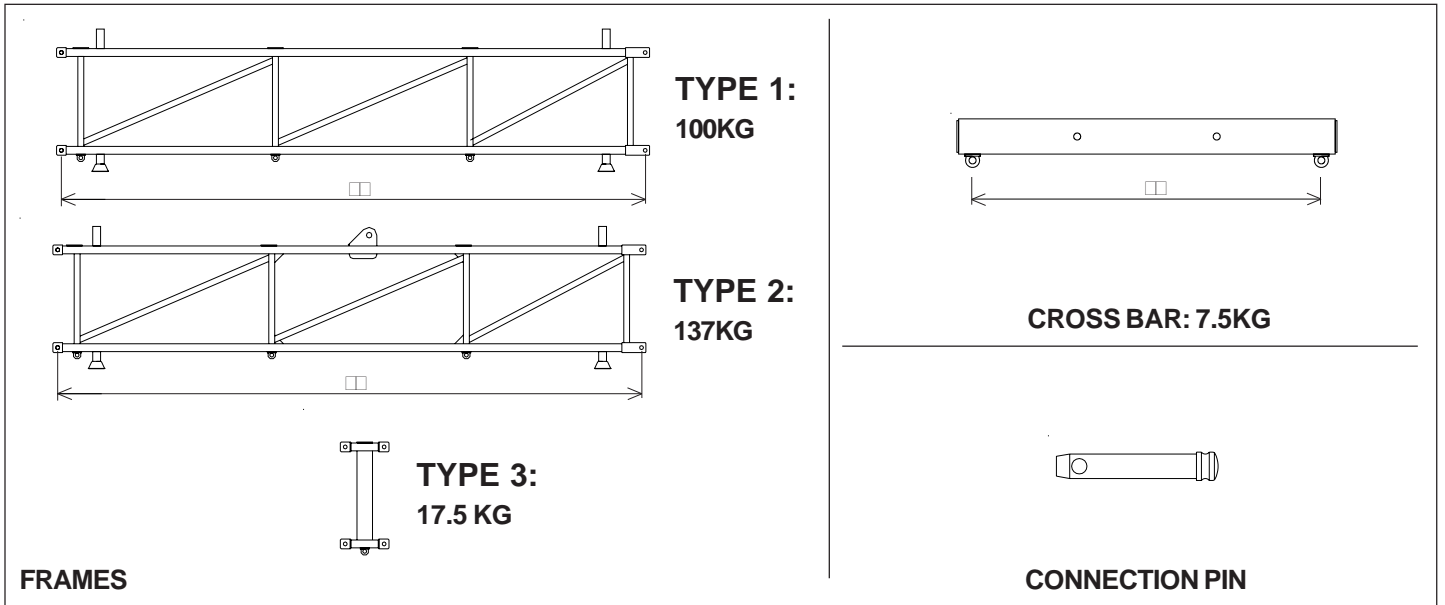




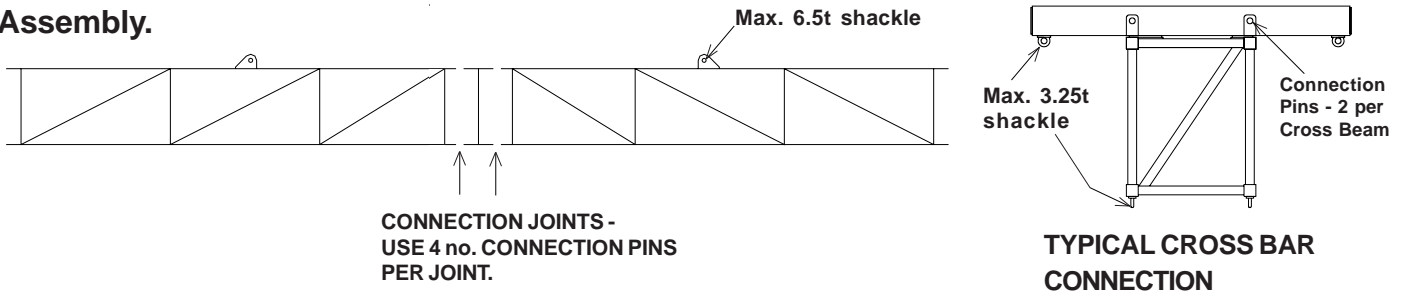
# USER INSTRUCTIONS - LATTICE SPREADER: 33m

The lattice spreader is designed to be used for lifting and moving heavy loads. It consists of a main frame and a cross bar. The main frame is made of high-strength steel and is designed to withstand heavy loads. The cross bar is made of high-strength steel and is designed to be used for lifting and moving heavy loads. The lattice spreader is designed to be used for lifting and moving heavy loads.

## Components.



## Assembly.



The lattice spreader is designed to be used for lifting and moving heavy loads. It consists of a main frame and a cross bar. The main frame is made of high-strength steel and is designed to withstand heavy loads. The cross bar is made of high-strength steel and is designed to be used for lifting and moving heavy loads. The lattice spreader is designed to be used for lifting and moving heavy loads.

## WARNING!

- The lattice spreader is designed to be used for lifting and moving heavy loads. It consists of a main frame and a cross bar. The main frame is made of high-strength steel and is designed to withstand heavy loads. The cross bar is made of high-strength steel and is designed to be used for lifting and moving heavy loads. The lattice spreader is designed to be used for lifting and moving heavy loads.
- The lattice spreader is designed to be used for lifting and moving heavy loads. It consists of a main frame and a cross bar. The main frame is made of high-strength steel and is designed to withstand heavy loads. The cross bar is made of high-strength steel and is designed to be used for lifting and moving heavy loads. The lattice spreader is designed to be used for lifting and moving heavy loads.
- The lattice spreader is designed to be used for lifting and moving heavy loads. It consists of a main frame and a cross bar. The main frame is made of high-strength steel and is designed to withstand heavy loads. The cross bar is made of high-strength steel and is designed to be used for lifting and moving heavy loads. The lattice spreader is designed to be used for lifting and moving heavy loads.
- The number of lifting points must not be less than shown in the diagram overleaf.**

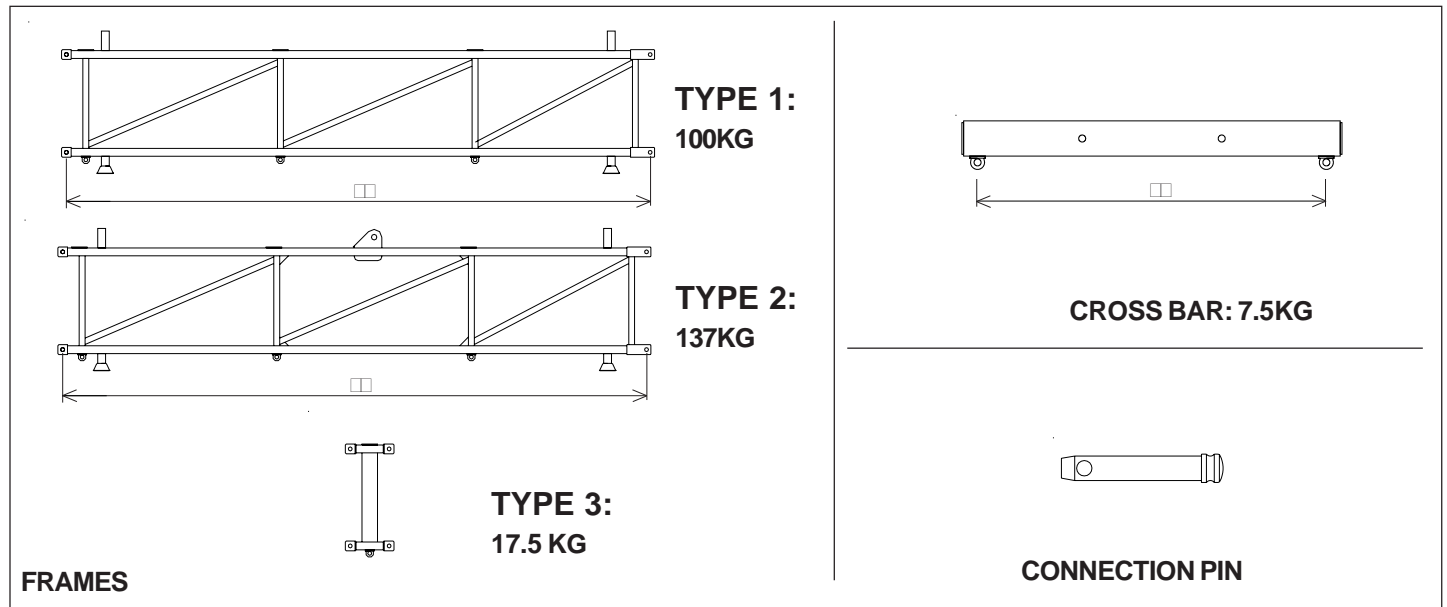


# USER INSTRUCTIONS

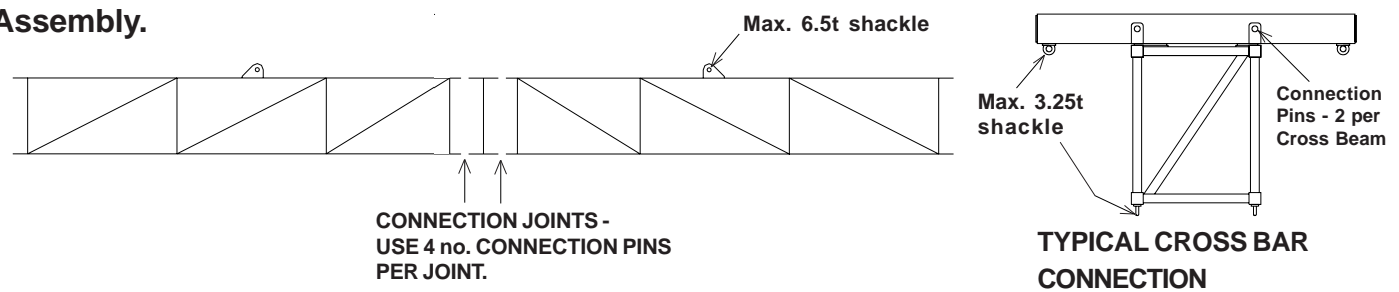
## - LATTICE SPREADER:42m

Modular lattice spreader for lifting heavy loads. It consists of a main beam and several lattice frames. The main beam is made of high-strength steel and is supported by four lifting points. The lattice frames are made of galvanized steel and are connected to the main beam by cross bars and connection pins. The spreader is designed to be used for lifting loads up to 6.5t. It is suitable for use in construction, industrial and agricultural applications.

### Components.



### Assembly.



Read the instructions carefully before using the spreader. The spreader is designed for lifting loads up to 6.5t. It is suitable for use in construction, industrial and agricultural applications. The spreader is made of high-strength steel and is supported by four lifting points. The lattice frames are made of galvanized steel and are connected to the main beam by cross bars and connection pins. The spreader is designed to be used for lifting loads up to 6.5t. It is suitable for use in construction, industrial and agricultural applications.

## WARNING!

- The spreader is designed for lifting loads up to 6.5t. It is suitable for use in construction, industrial and agricultural applications.
- The spreader is made of high-strength steel and is supported by four lifting points. The lattice frames are made of galvanized steel and are connected to the main beam by cross bars and connection pins.
- The spreader is designed to be used for lifting loads up to 6.5t. It is suitable for use in construction, industrial and agricultural applications.
- The number of lifting points must not be less than shown in the diagram overleaf.

