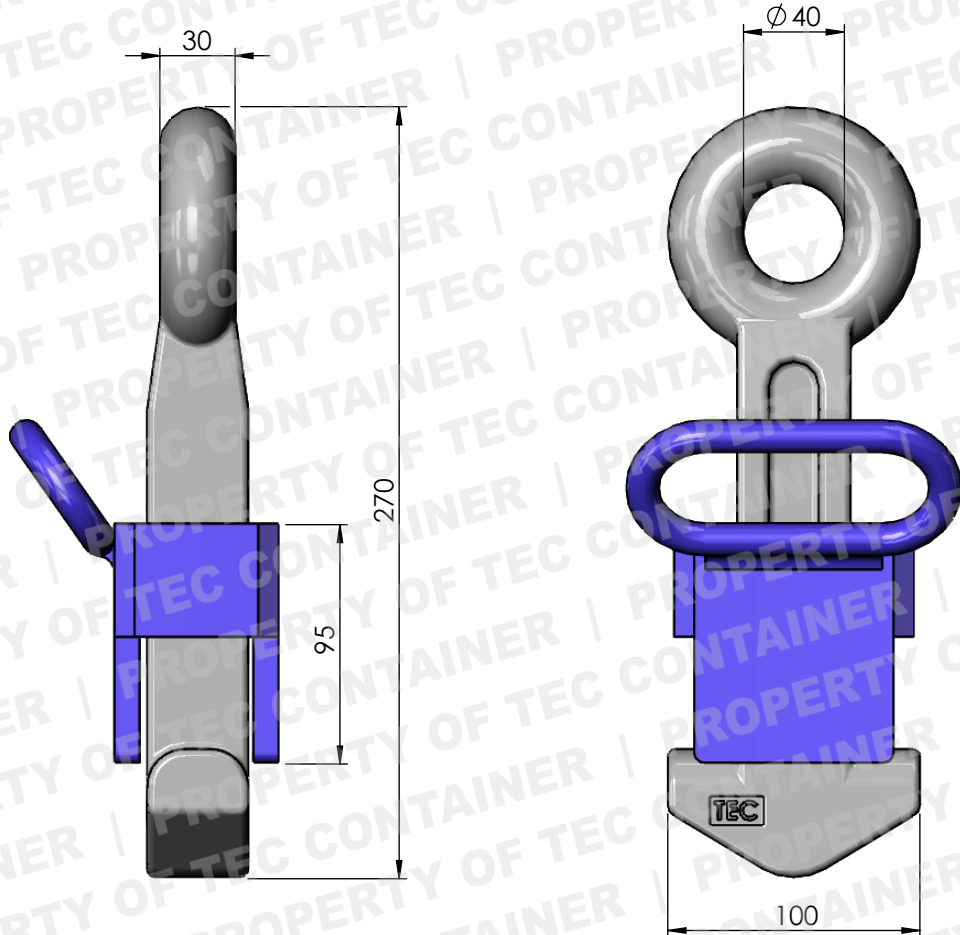
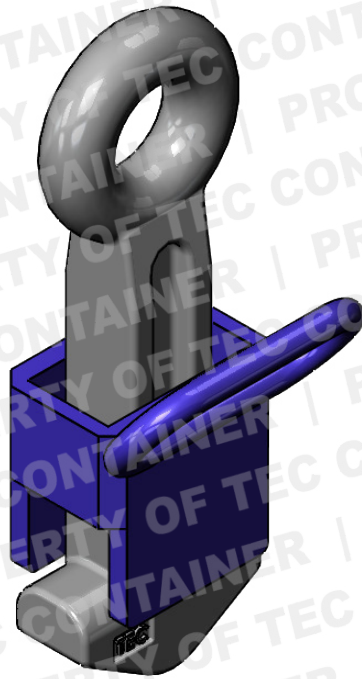




LASHING
EQUIPMENT.COM[®]
by TEC CONTAINER Since 1976



This drawing is valid for commercial purposes only and must not be copied, disclosed or used without our permission

Material: High tensile steel

Weight: 5.75 kg

SWL 150 kN

BL 300 kN

TEC CONTAINER S.A.
+ 34 91 302 16 38
lashingequipment.com
teccontainer.com
info@lashingequipment.com



Description:

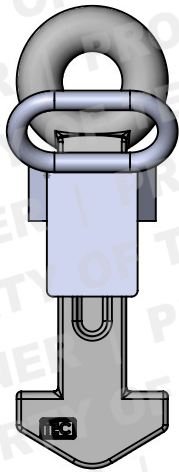
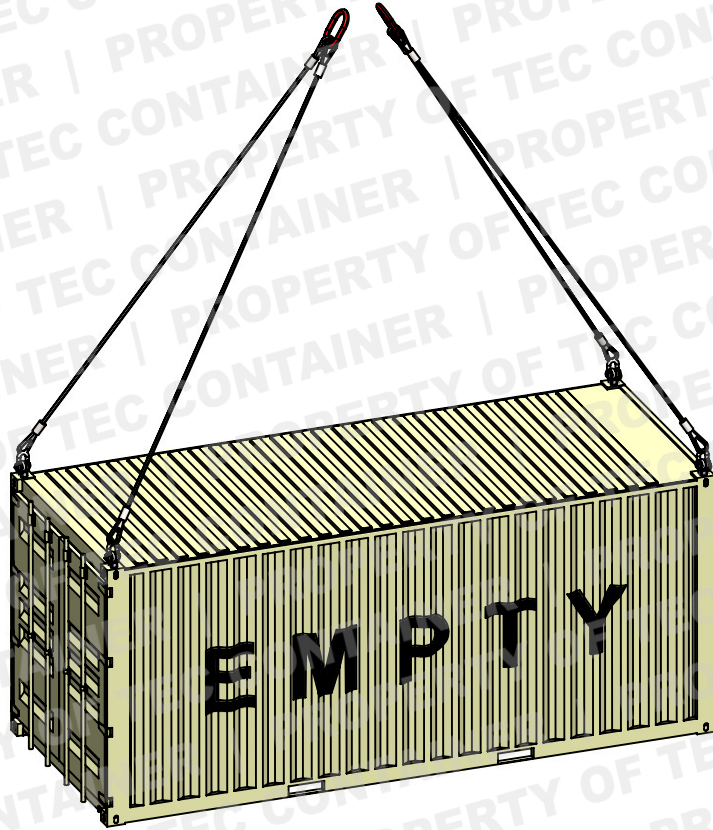
VERTICAL LIFTING LUG

Reference:

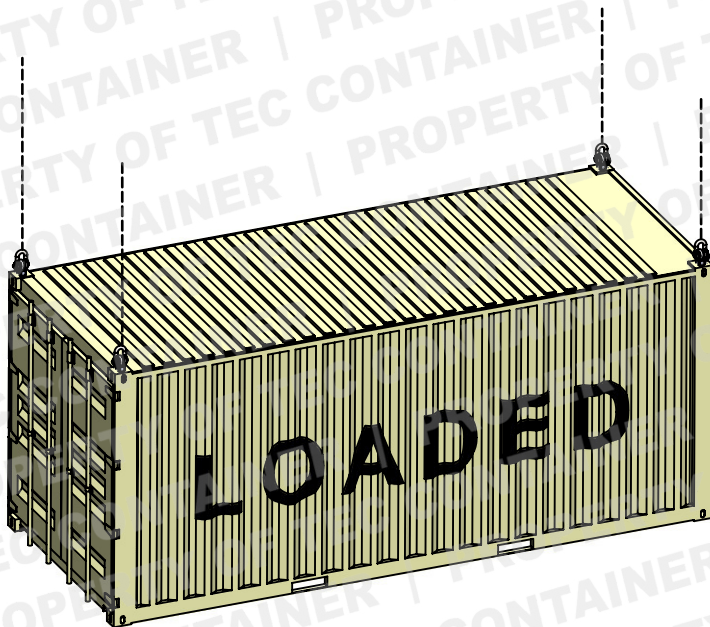
GE-11

Real pieces might have variations in details such as weight and sizes

Configuration for lifting **EMPTY** containers only.
 Configuración para elevación SÓLO de contenedores VACÍOS.



GE-11



Configuration for lifting **LOADED** containers (UP TO 60t)
 Configuración para elevación de contenedores CARGADOS (hasta 60t)

Material: High tensile steel

Weight: 5.75 kg

SWL 150 kN

BL 300 kN

TEC CONTAINER S.A.
 + 34 91 302 16 38
lashingequipment.com
teccontainer.com
info@lashingequipment.com



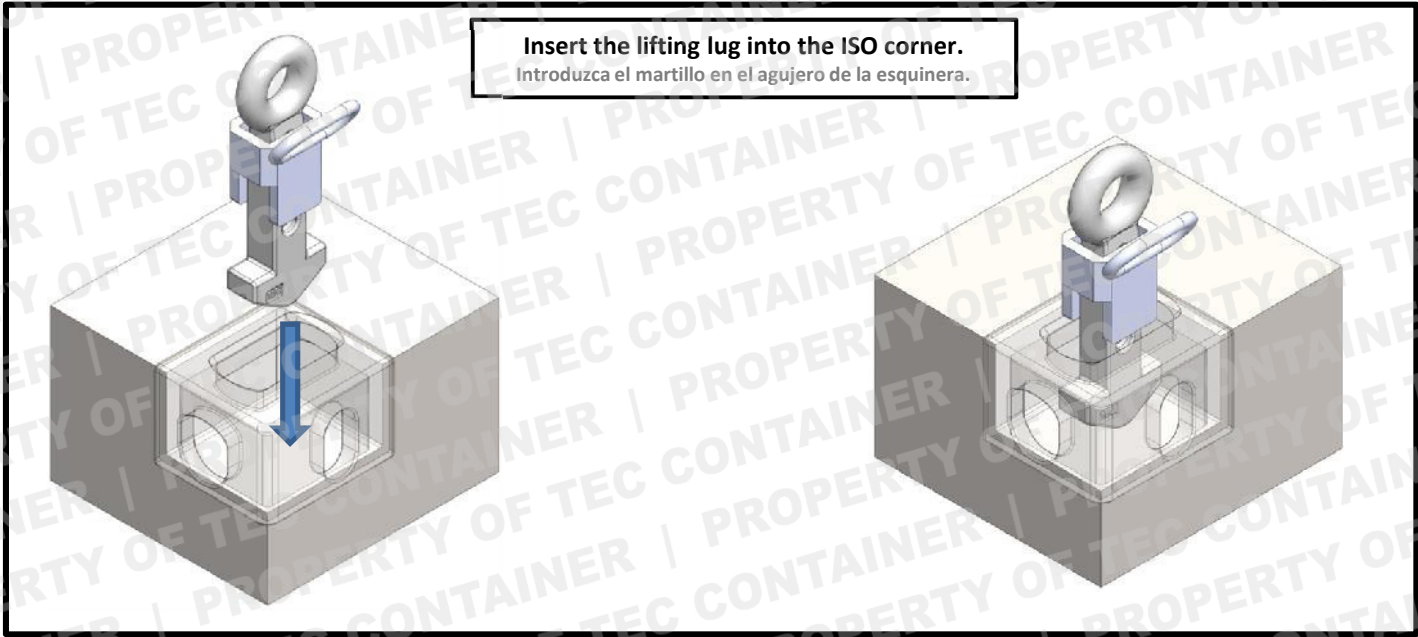
Description:

E G G

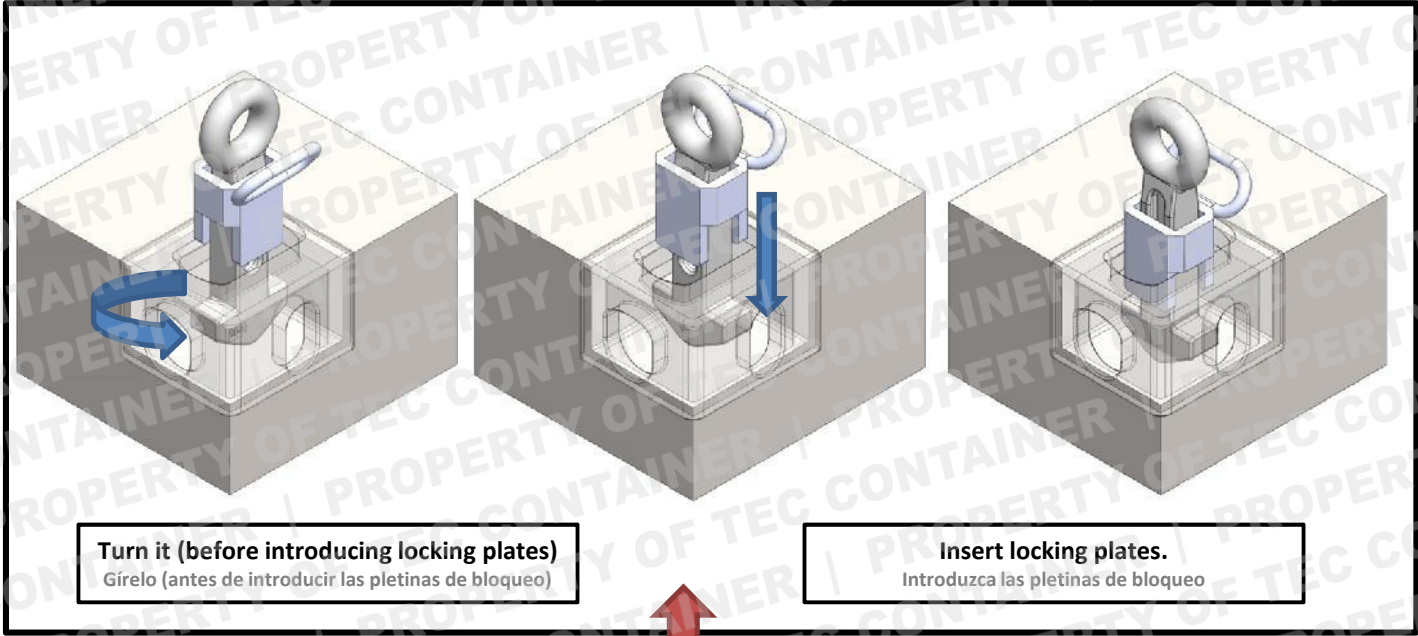
Reference:

GE-11

This drawing is valid for commercial purposes only and must not be copied, disclosed or used without our permission

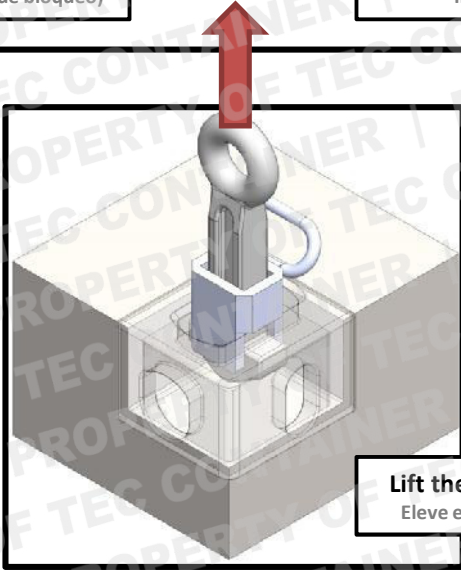


Insert the lifting lug into the ISO corner.
 Introduzca el martillo en el agujero de la esquinera.



Turn it (before introducing locking plates)
 Gírelo (antes de introducir las pletinas de bloqueo)

Insert locking plates.
 Introduzca las pletinas de bloqueo



Lift the container.
 Eleve el contenedor

Material:	High tensile steel
Weight:	5.75 kg
SWL	150 kN
BL	300 kN

TEC CONTAINER S.A.
 + 34 91 302 16 38
lashingequipment.com
teccontainer.com
info@lashingequipment.com



Description:	VERTICAL LIFTING LUG
Reference:	GE-11