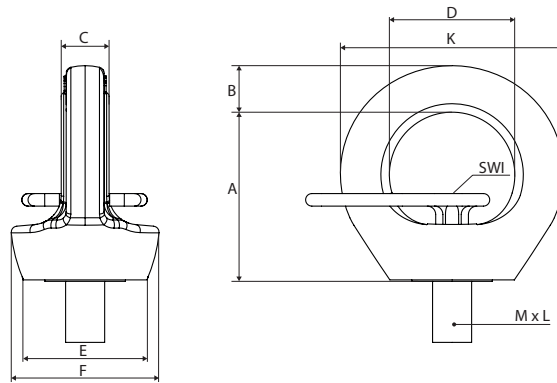


## C807X+KEY aanslagbouten (Grade 10)



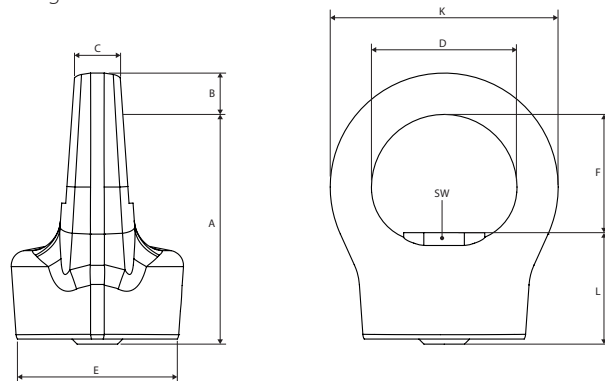
360° draaibaar. Handvast aandraaien in belastingsrichting. Niet draaibaar onder last. Minimale klasse 10.9. Volgens EN 1677-1



| Type                   | Veilige werklust (kg) | A (mm) | B (mm) | C (mm) | D (mm) | E (mm) | F (mm) | K (mm) | M x L (mm) | SWI (mm) | Gewicht (kg/st/m) | Artikelnummer |
|------------------------|-----------------------|--------|--------|--------|--------|--------|--------|--------|------------|----------|-------------------|---------------|
| C807X+KEY-M8x12-0.3T   | 300                   | 35     | 11     | 9      | 25     | 25     | 30     | 47     | M8 x 12    | 6        | 0.300             | 2611408       |
| C807X+KEY-M10x15-0.4T  | 400                   | 35     | 11     | 9      | 25     | 25     | 30     | 47     | M10 x 16   | 6        | 0.300             | 2611410       |
| C807X+KEY-M12x23-0.75T | 750                   | 43     | 12.5   | 11.5   | 30     | 30     | 36.5   | 55.5   | M12 x 18   | 7        | 0.460             | 2611412       |
| C807X+KEY-M16x24-1.5T  | 1.500                 | 49.5   | 14.5   | 15.7   | 35     | 35     | 41.8   | 64.5   | M16 x 24   | 8        | 0.900             | 2611416       |
| C807X+KEY-M20x30-2.3T  | 2.300                 | 58     | 16     | 18     | 40     | 42     | 51.5   | 74.5   | M20 x 30   | 10       | 1.150             | 2611420       |
| C807X+KEY-M24x36-3.2T  | 3.200                 | 69     | 20.5   | 22     | 49     | 50     | 58     | 90     | M24 x 36   | 12       | 2.050             | 2611424       |
| C807X+KEY-M30x45-4.5T  | 4.500                 | 86     | 25.5   | 28     | 60     | 66     | 73     | 111    | M30 x 43   | 17       | 3.120             | 2611430       |
| C807X+KEY-M36x54-7.0T  | 7.000                 | 107    | 32     | 32     | 74     | 75     | 96.5   | 135    | M36 x 54   | 22       | 6.700             | 2611436       |
| C807X+KEY-M42x63-9.0T  | 9.000                 | 120    | 38     | 40.5   | 82     | 85     | 110    | 158    | M42 x 64   | 24       | 9.500             | 2611442       |
| C807X+KEY-M48x72-12T   | 12.000                | 139    | 43     | 44     | 95     | 100    | 124.5  | 179    | M48 x 72   | 27       | 13.550            | 2611448       |

## C810FX aanslagmoer (Grade 10)

360° draaibaar. Handvast aandraaien in belastingsrichting. Niet draaibaar onder last. Volgens EN 1677-1



| Type             | Veilige werklust (kg) | A (mm) | B (mm) | C (mm) | D (mm) | E (mm) | F (mm) | M x L (mm) | SW (mm) | Gewicht (kg/st/m) | Artikelnummer |
|------------------|-----------------------|--------|--------|--------|--------|--------|--------|------------|---------|-------------------|---------------|
| C810FX-M8-0.3T   | 300                   | 44.5   | 8      | 10     | 29     | 32     | 23     | M8 x 21.5  | 13      | 0.17              | 2611508       |
| C810FX-M10-0.4T  | 400                   | 44.5   | 8      | 10     | 29     | 32     | 23     | M10 x 21.5 | 14      | 0.20              | 2611510       |
| C810FX-M12-0.75T | 750                   | 53.5   | 11     | 11     | 34     | 44     | 27     | M12 x 26.5 | 16      | 0.39              | 2611512       |
| C810FX-M16-1.5T  | 1.500                 | 59.5   | 13     | 14.5   | 39     | 56     | 29     | M16 x 30.5 | 21      | 0.69              | 2611516       |
| C810FX-M20-2.3T  | 2.300                 | 67     | 14     | 17     | 42     | 58     | 34     | M20 x 33.0 | 26      | 0.71              | 2611520       |
| C810FX-M24-3.2T  | 3.200                 | 80     | 18     | 19     | 52     | 73     | 40     | M24 x 40.0 | 30      | 1.70              | 2611524       |
| C810FX-M30-4.5T  | 4.500                 | 101    | 22     | 27     | 62     | 80     | 50     | M30 x 51.0 | 36      | 2.44              | 2611530       |