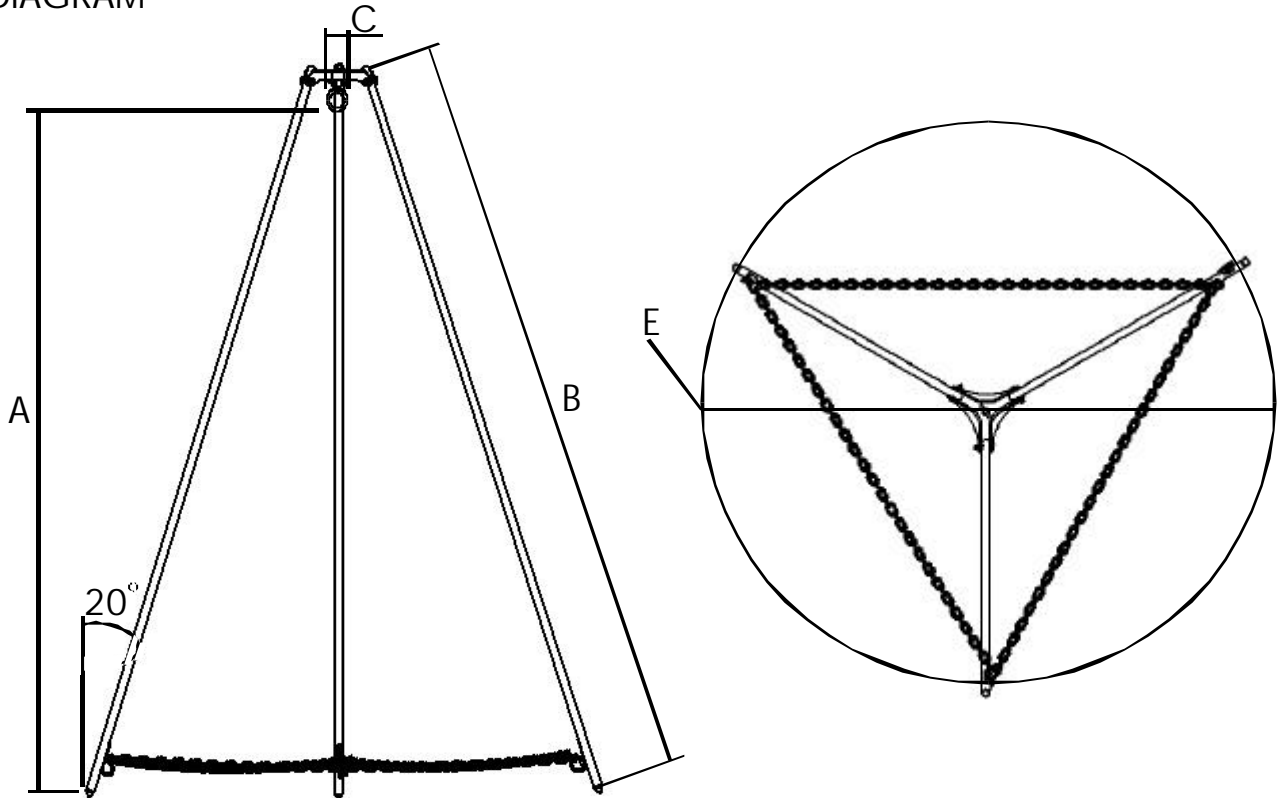


DESCRIPTION

The Camlok SL Shearleg Tripod has been designed to be easy to erect and operate. It is supplied as standard with fitted safety chains and a large eyebolt for the suspension of hand operated lifting mechanisms, chain blocks or pulleys. The SL range is manufactured from steel tubes incorporating a plated top cap which forms a rigid construction.

DIAGRAM



TABLE

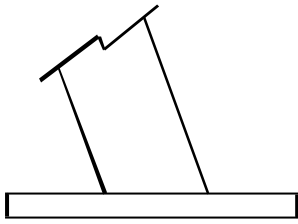
* = Option available on this model

MODEL	WLL T	Height To eye m (A)	Weight kg	Max Height m	Total Leg Length (B)	Tube Size mm	P.C.D (E)	Jointed Leg	Flat Feet	Combined	Adjustable
SL 0.5/2	0.5	2	24	2	2254	33.7x2.6	1800	*	*	*	*
SL 1/2	1	2	33	2	2276	42.4x3.2	1816	*	*	*	*
SL 1/3	1	3	44	Max	3340	42.4x3.2	2544	*	*	*	*
SL 1/4	1	4	89	Max	4411	60.3x4	3270	*	*	*	*
SL 2/3	2	3	71	4	3366	60.3x4	2554	*	*	*	*
SL 2/4	2	4	90	Max	4430	60.3x4	3282	*	*	*	*
SL 2/5	2	5	126	Max	5537	76.1x3.2	4186	*	*	*	
SL 3/3	3	3	88	4.75	3409	76.1x3.2	2730	*	*	*	
SL 3/4	3	4	108	4.75	4473	76.1x3.2	3458	*	*	*	
SL 3/5	3	5	146	5.5	5541	88.9x3.2	4184	*	*	*	
SL 5/3	5	3	90	3.5	3442	76.1x3.2	2752	*	*	*	
SL 5/4	5	4	127	Max	4506	76.1x4	3480	*	*	*	
SL 5/5	5	5	174	Max	5576	88.9x4	4208	*	*	*	
SL 5/5.5	5	5.5	*	5.5	6108	88.9x5	4573	*	*	*	

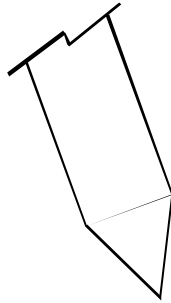
OPTIONS

Each tripod is available with any of the leg and feet options. Safety chains are provided as standard on all tripods. Leg runs are available for easy access to the hooking if required. Camlok also manufacture a lightweight tripod, this is constructed from Extren structural fibreglass providing a very strong yet light alternative to our standard Shearlegs.

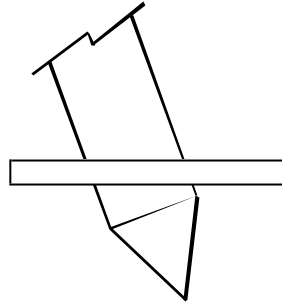
FEET



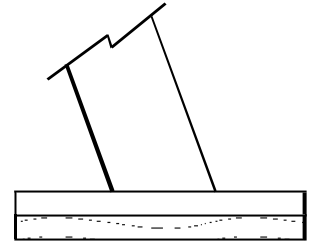
FF. Flat foot
for soft ground
e.g. earth



Fitted as standard.
For hard ground
e.g. concrete

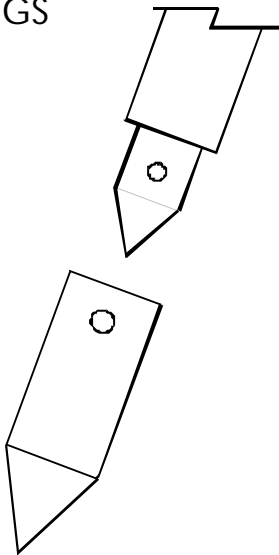


FC. Combined foot
for hard or soft ground
e.g. Earth or concrete

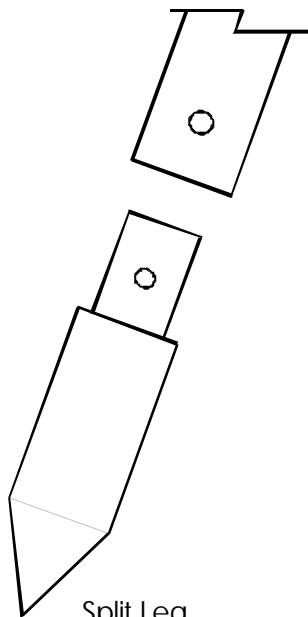


FR. Rubber lined foot
for internal use

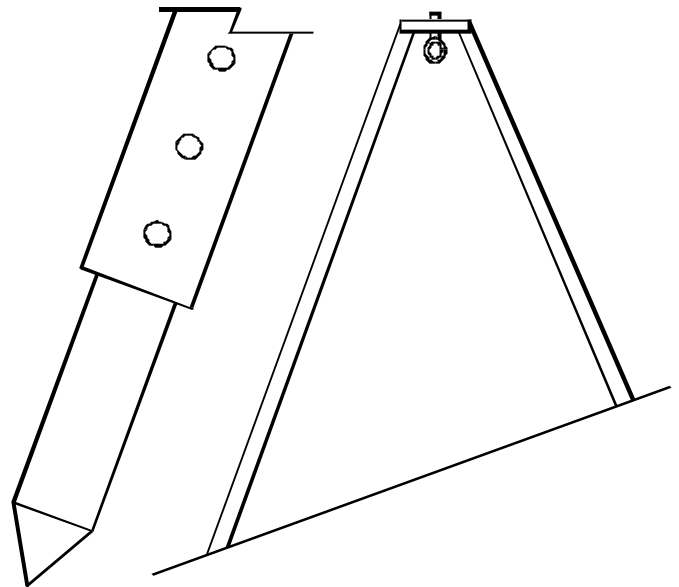
LEGS



Dual Height
supplied with
2 safety chains
(max split 2)



Split Leg
for storage &
transport
(max split 2)



Adjustable Leg
suitable for un-level ground,
shallow slopes and slight inclines.
(Max adjustable height 500mm)

RESTRICTIONS

Load must not be tied off to the leg/legs of the tripod. Never exceed the working load limit of your shearleg. Personnel must not be suspended from the tripod. Always follow the safety instructions.